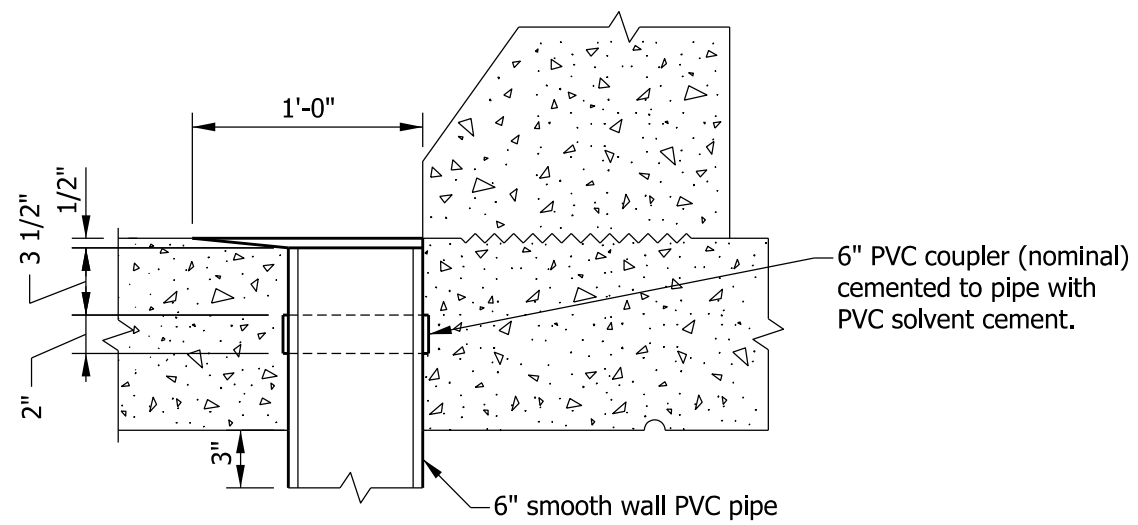
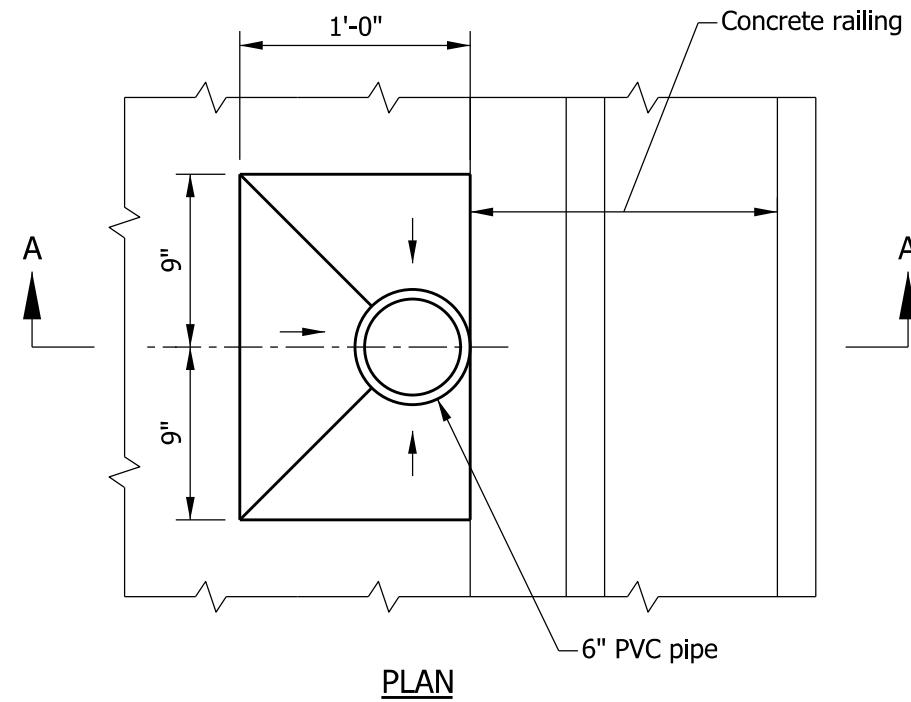
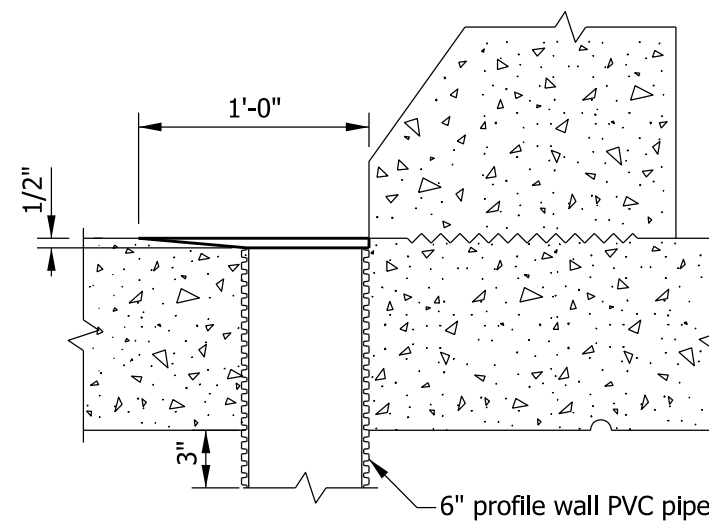


NOTE

1. See plans for drain spacing.



6" SMOOTH WALL PVC PIPE



6" PROFILE WALL PVC PIPE

SECTION A-A

INDIANA DEPARTMENT OF TRANSPORTATION	
SLAB BRIDGE FLOOR DRAIN DETAIL	
SEPTEMBER 2012	
STANDARD DRAWING NO.	E 704-SBFD-01
	/s/ <i>Richard L. VanCleave</i> 09/04/12 SUPERVISOR, ROADWAY STANDARDS DATE
	/s/ <i>Mark A. Miller</i> 09/04/12 CHIEF ENGINEER DATE